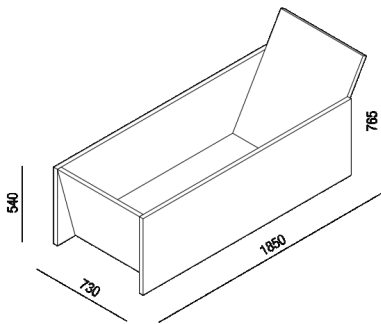




Freestanding bathtub
 AVAS1094_

Jean Nouvel Design, 2022



Finishes

- White Carrara
- Grey Carnico
- Black Marquina

Materials

- Marble

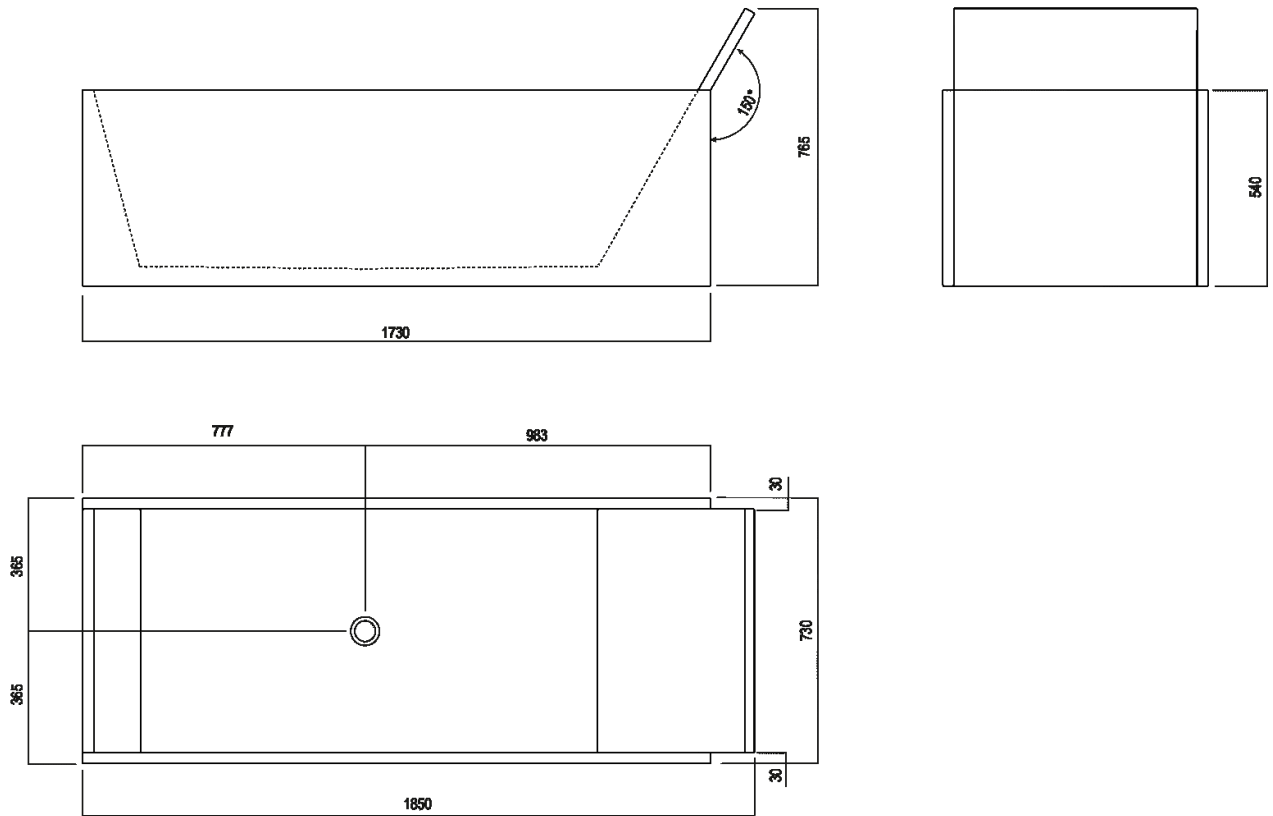
Bathtub made of marble slabs available in Carrara white, grey Carnic, or black Marquina, without holes for plumbing fixtures; it can be placed on the wall or on the ground. Face a' face are fitted with a chromed waste with siphon and with overflow .MET0722S.

Height:	76.5 cm	30" 1/8 inches
Length:	185 cm	72" 53/64 inches
Weight:	480 kg	127 lbs
Depth:	73 cm	28" 3/4 inches
Capacity:	350 l	772 gal
Packaging:	200 x 90 x 90 cm	78" 3/4 x 37" 7/16 x 37" 7/16 inches
Total weight:	520 kg	1146 lbs

Note: The bathtub can be delivered also in stone or marble types on demand, price to be calculated. For an easier installation of the bathtubs we recommend to use the template for the positioning of the waste trap AKITPZVAS.

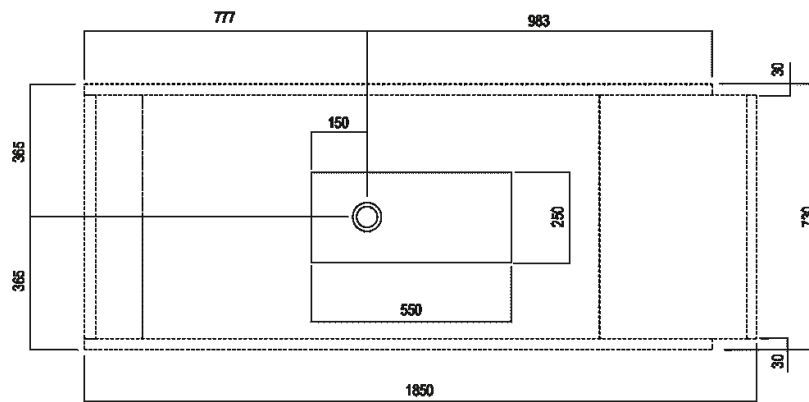


Main dimensions



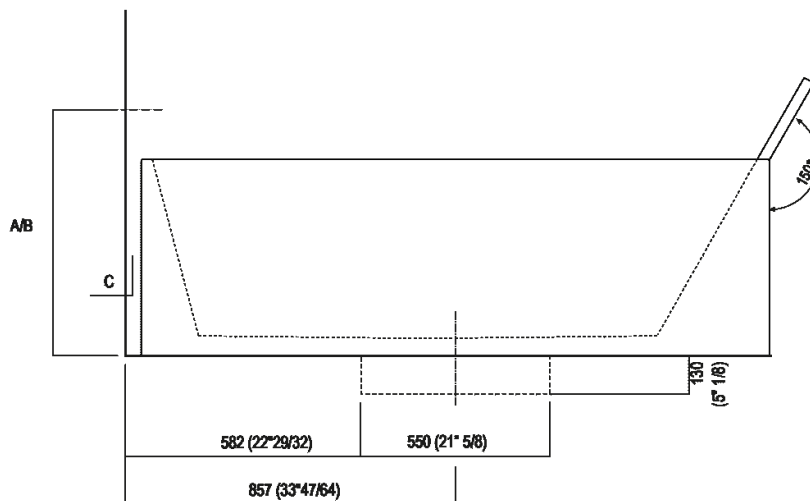
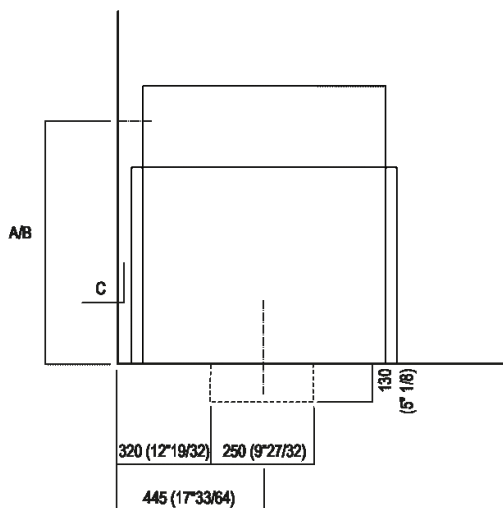


Installation notes





Quote per rubinetteria a parete

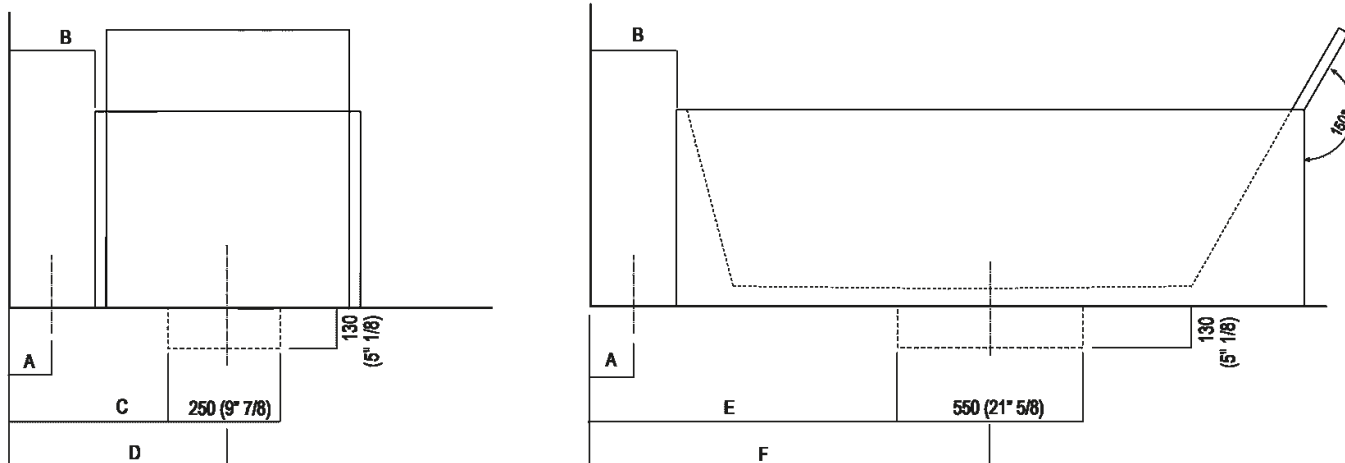


	A*	B**	C
FEZ 2 (EFEZ027)	670 (26 3/8)	-	80 (3 5/32)
LIMÓN (ELIM443)	670 (26 3/8)	-	80 (3 5/32)
MEMORY (EMEM324, EMEM343)	670 (26 3/8)	-	80 (3 5/32)
(EMEM342)	670 (26 3/8)	-	50 (1 31/32)
MEMORY MIX (EMIX437)	670 (26 3/8)	-	50 (1 31/32)
SQUARE (ERUB1117)	-	670 (26 3/8)	50 (1 31/32)
(ERUB1118)	-	670 (26 3/8)	80 (3 5/32)
SEN (ESEN0912)	-	670 (26 3/8)	50 (1 31/32)

* inserisse gruppo / axial distance for tap
 ** filo inferiore gruppo / Tap's lower edge



Quote per piantane da terra



	A	B	C	D	E	F
FEZ 2 (EFEZ026, .MET885)	90 (3"35/64)	170 (6"11/16)	320 (12"19/32)	445 (17"33/64)	582 (22"29/32)	857 (33"47/64)
(EFEZ028)	135 (5"5/16)	230 (9"1/16)	375 (14"49/64)	505 (19"7/8)	635 (25")	910 (35"53/64)
LIMÓN (ELIM425)	135 (5"5/16)	230 (9"1/16)	375 (14"49/64)	505 (19"7/8)	635 (25")	910 (35"53/64)
MEMORY MIX (EMDX425)	135 (5"5/16)	230 (9"1/16)	375 (14"49/64)	505 (19"7/8)	635 (25")	910 (35"53/64)
LIMÓN / MEMORY / MEMORY MIX (EMEM327)	90 (3"35/64)	170 (6"11/16)	320 (12"19/32)	445 (17"33/64)	582 (22"29/32)	857 (33"47/64)
SQUARE (.ERUB1112, .ERUB1115)	90 (3"35/64)	170 (6"11/16)	320 (12"19/32)	445 (17"33/64)	582 (22"29/32)	857 (33"47/64)
SEN (.ESEN0911, ESEN0977)	90 (3"35/64)	130 (5"1/8)	280 (11"1/32)	400 (15"3/4)	545 (21"29/64)	815 (32"3/32)