



# CARYLLON DINING TABLE

TECHNISCHES BLATT  
SCHEDA TECNICA  
DATA SHEET  
FICHE TECHNIQUE

# CARYLLON DINING TABLE

DESIGN CRISTINA CELESTINO, 2018



Tisch mit Struktur aus lackiertem, gebogenem Buchenholz und Platte aus hölzernen Einlegearbeiten.

Tavolo con struttura in faggio curvato laccato e piano in legno intarsiato.

Table with lacquered bent beech-wood structure and inlaid wooden.

Table avec structure en hêtre cintré laqué et plateau en bois incrusté.

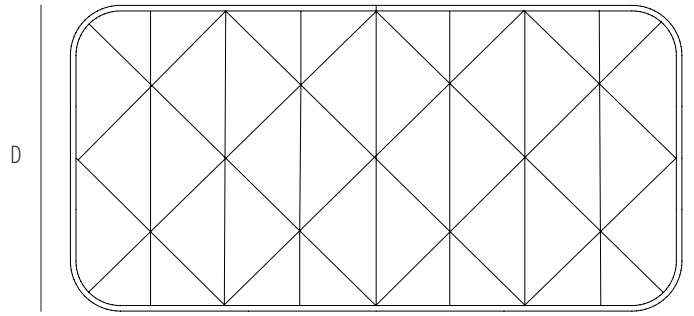
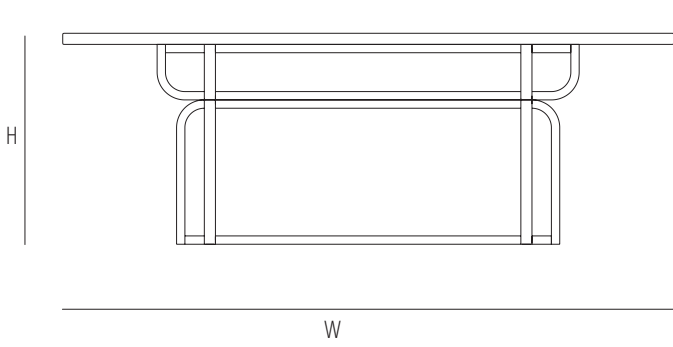
Mesa con estructura de haya curvada lacada y parte superior de madera incrustada.



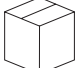


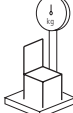
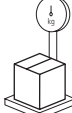
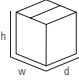
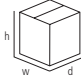
**TVCARDLGN**

Dimensions mm.

height 760 | width 2200 | depth 1100



	H	W	D	SH	AH
mm	760	2200	1100		
inch	29,9	86,6	43,3		

 2	 max. 1	 m <sup>3</sup>	<p>BASE 0,84</p> <p>TOP 0,20</p>	 80	 87	 <p>BASE mm - inch h 750 - 29,5 w 1600 - 62,9 d 700 - 27,5</p>	 <p>TOP mm - inch h 80 - 3,1 w 2250 - 88,5 d 1150 - 45,2</p>
---	--	--	--	--	---	---	---

Verfuegbare Ausfuehrungen  
Finiture disponibili  
Available finishes  
Finitions disponibles

INLAY TOPS (CARYLLON) / PIANI INTARSIATI (CARYLLON)

---



CALEIDOLEGNO



D14 - RAL 3005 WINE RED



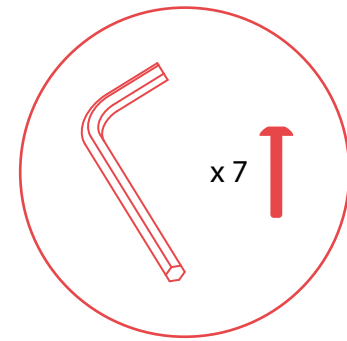
BOLIVAR



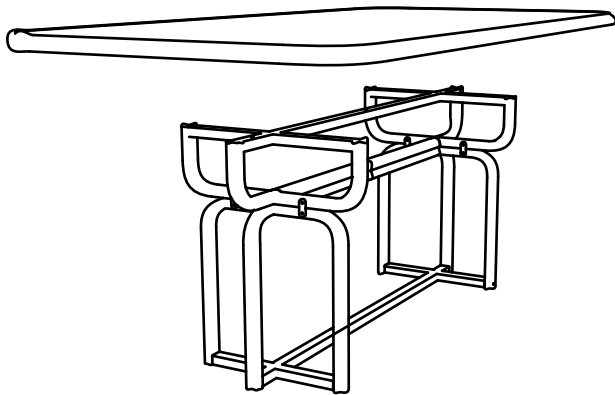
C01 - RAL 9005 BLACK

---

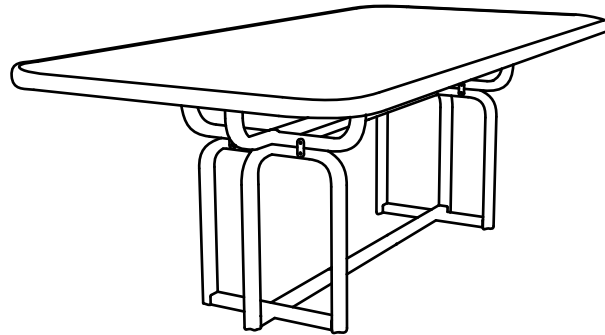
# CARYLLON DINING TABLES assembly instructions



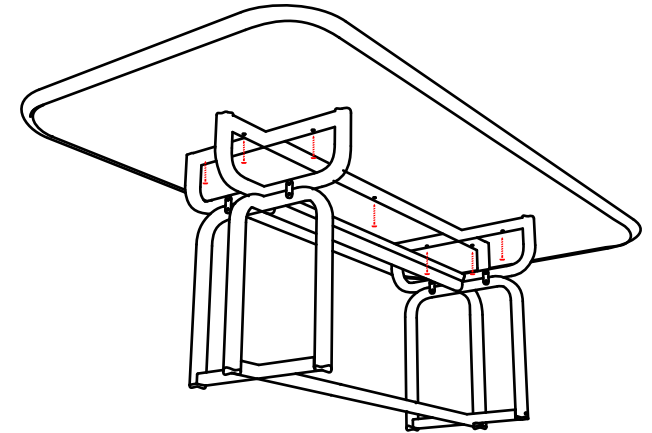
Allen key not included  
Allen key number 6



1



2



3

If the table needs to be flipped over to facilitate installation, before doing so, we recommend you to place a clean cloth on the supporting surface to prevent the top from scratching.

Gebrüder Thonet Vienna GmbH  
Prinz Eugen Straße 42  
1040 Wien (AT)

**[www.gebruederthonetvienna.com](http://www.gebruederthonetvienna.com)**

Offices of the trademarks' licensee  
Production Furniture International S.p.A.  
Via Foggia, 23/H  
10152 Torino (TO) Italy

Phone: 0039 011 0133330 - [info@gebruederthonetvienna.com](mailto:info@gebruederthonetvienna.com)