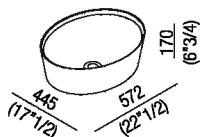




Over countertop washbasin
 ACER0661_

Benedini Associati, 2011

Over countertop Ceramilux® washbasin.



Oval-shaped over countertop washbasin in white Ceramilux® without tap holes, without overflow. Designed for waste .MET0563.

Finiture

-  Glossy white
-  Matt white

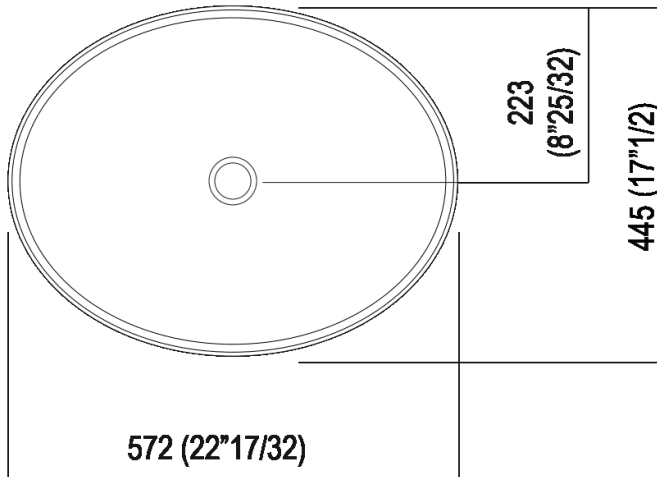
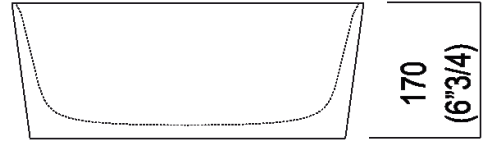
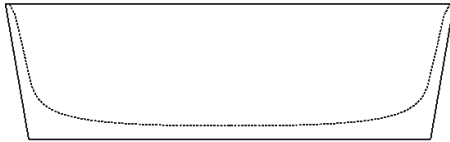
Materiali

-  Ceramilux®

Altezza:	17 cm	6" 3/4 inches
Larghezza:	57.2 cm	22" 1/2 inches
Peso:	10 kg	22 lbs
Profondità :	44.5 cm	17" 1/2 inches
Capacità':	7 l	2 gal
Confezione:	45 x 70 x 24 cm	17" 6/8 x 27" 4/8 x 9" 4/8 inches
Peso della confezione:	12 kg	26 lbs

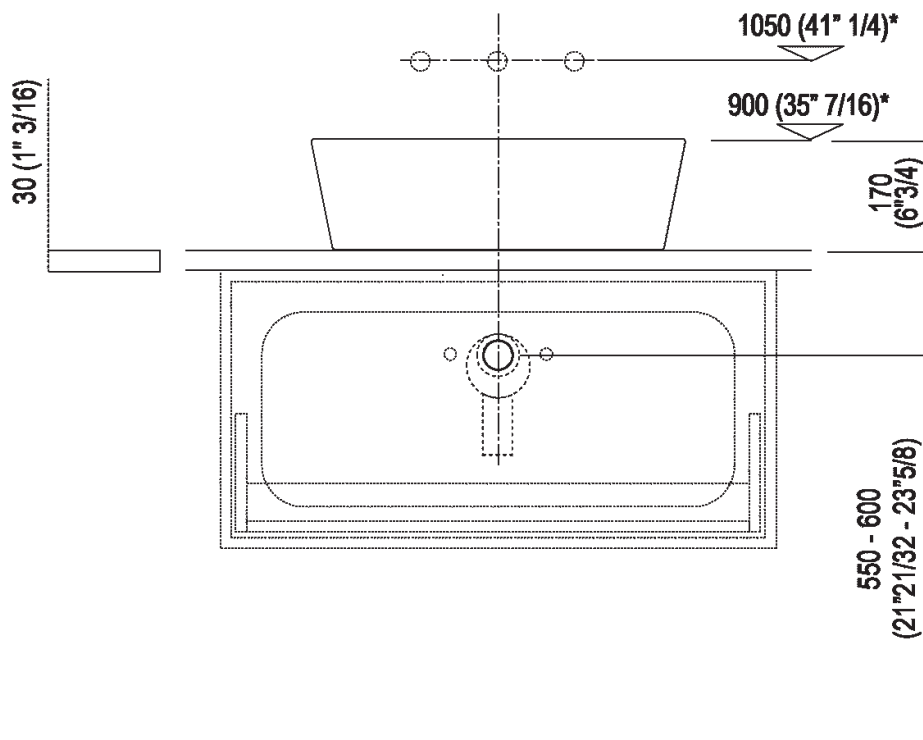


Main dimensions





Installation notes: countertop to be rested on cabinet with thickness cm 3 (1"3/16)



Scarico per sifone a bottiglia e ad incasso
Drain for bottle trap and concealed waste trap

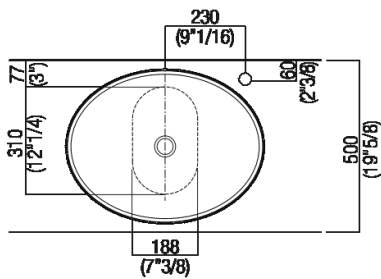
*h.consigliata / advised h.



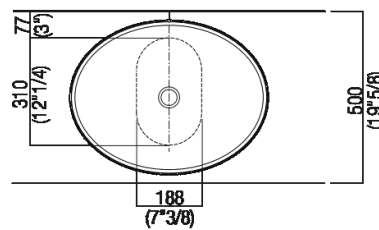
Holes for countertop washbasins and top mounted taps for top

PIANO cm 50 / COUNTERT OP cm 50

Posizione standard per rubinetto su piano
Standard position for top mounted tap



Posizione standard per rubinetto a parete
Standard position for wall mounted tap

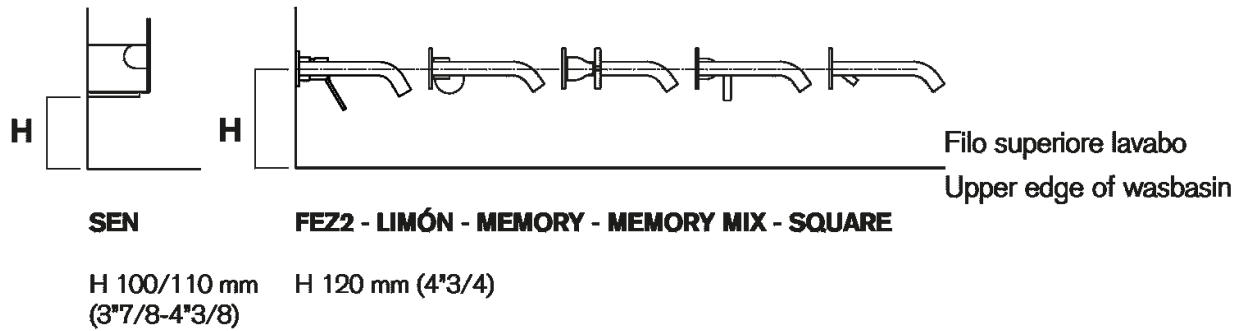


Posizione speciale per rubinetto Sen a parete e Square con bocca curva
Special position for wall mounted tap Sen and Square white curved spout

**NON NECESSARIA
NOT NECESSARY**

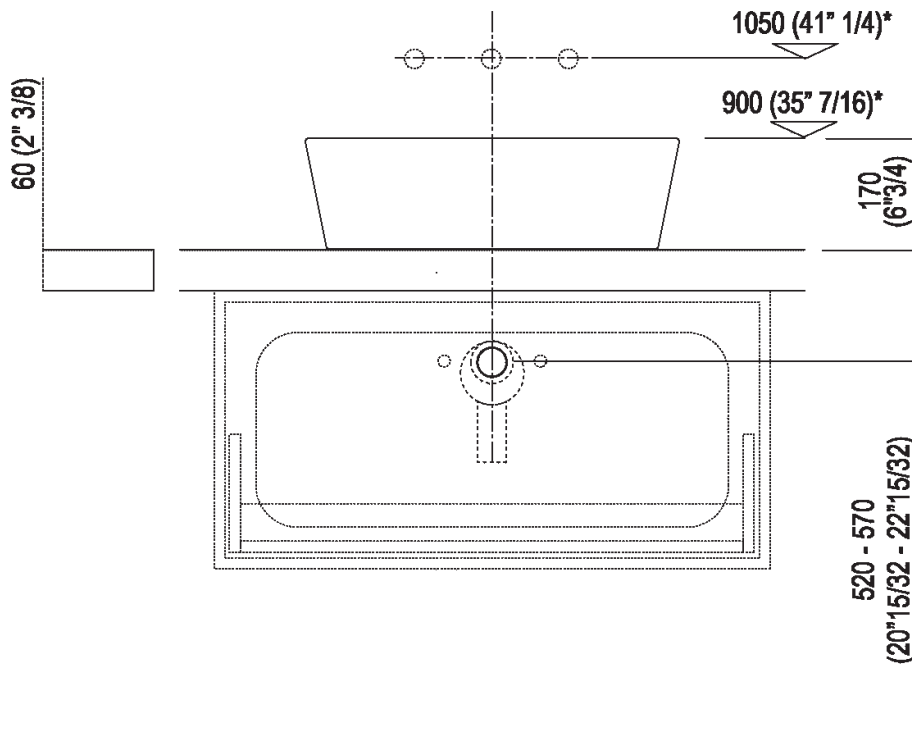


Tap position, recommended height





Installation notes: countertop to be rested on cabinet with thickness cm 6 (2"3/8)

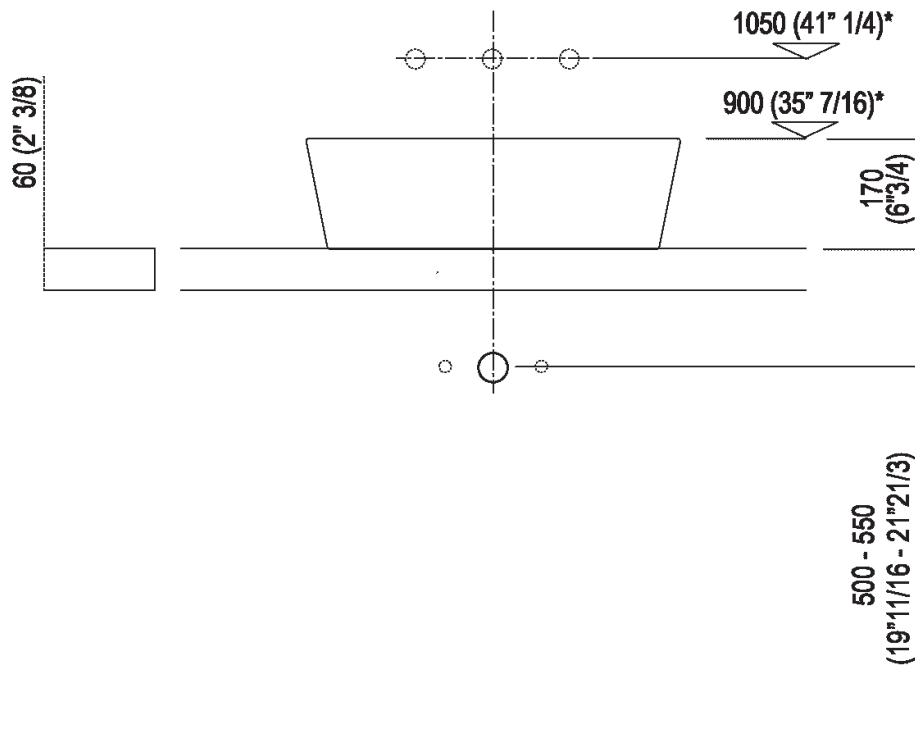


Scarico per sifone a bottiglia e ad incasso
Drain for bottle trap and concealed waste trap

*h.consigliata / advised h.



Installation notes: countertop with concealed wall
 fixings/freestanding with thickness cm 6 (2"3/8)

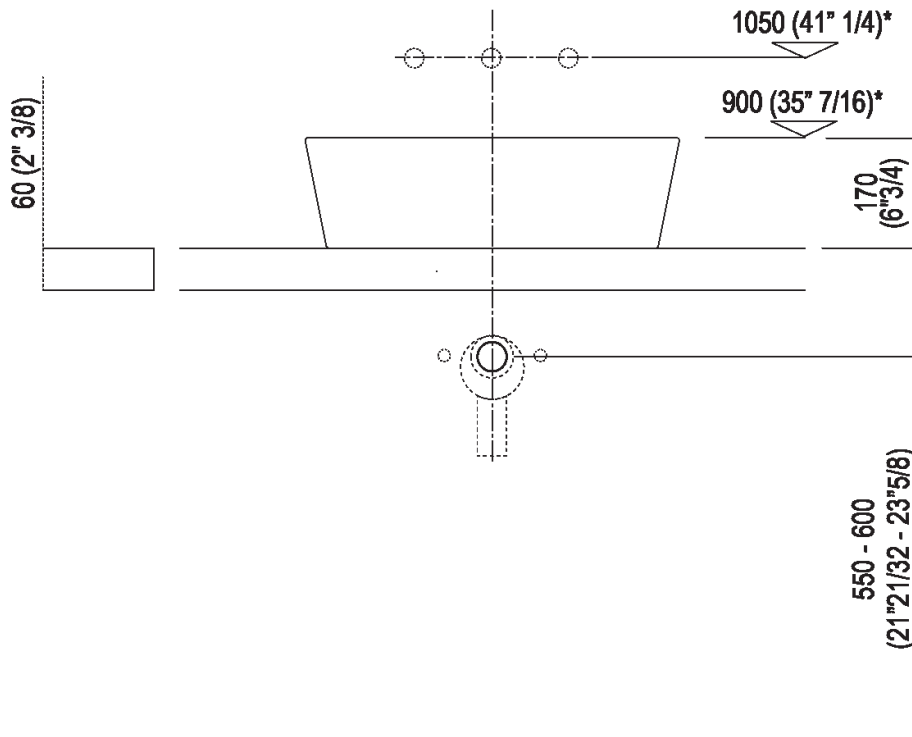


Scarico per sifone a bottiglia
Drain for bottle trap

*h.consigliata / advised h.



Installation notes: countertop with concealed wall
 fixings/freestanding with thickness cm 6 (2"3/8)

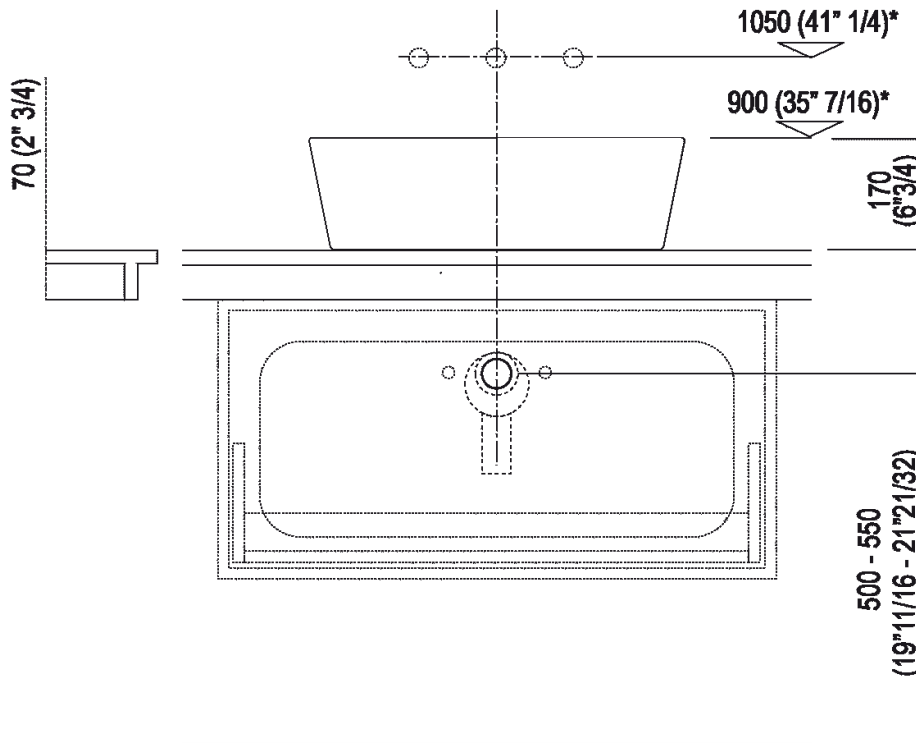


Scarico per sifone ad incasso
 Drain for concealed waste trap

*h.consigliata / advised h.



Installation notes: countertop Evoluzione

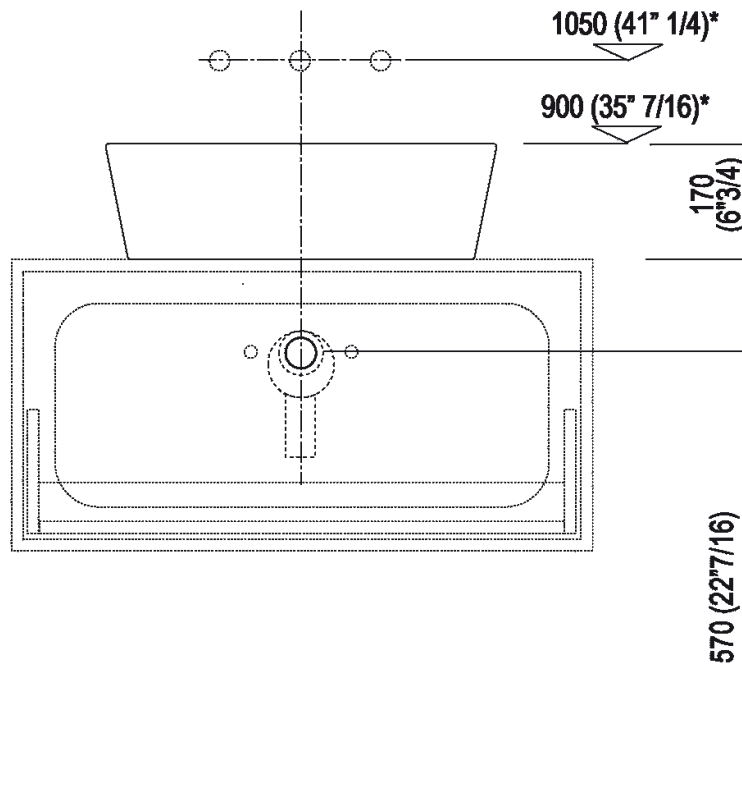


Scarico per sifone a bottiglia e ad incasso
Drain for bottle trap and concealed waste trap

***h.consigliata / advised h.**



Installation notes: on casing H 40 cm Lato

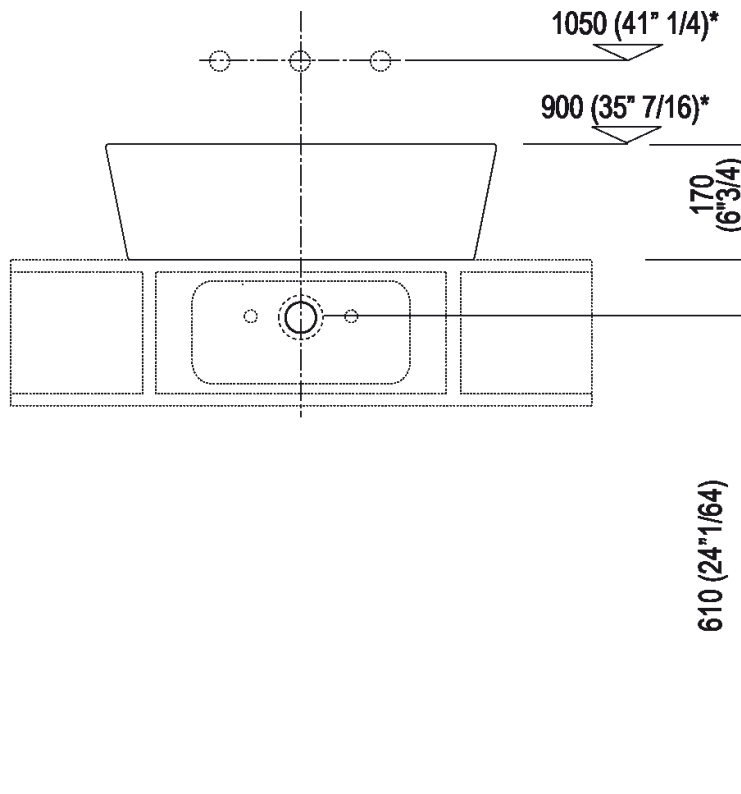


Scarico per sifone a bottiglia o ad incasso
Drain for bottle trap or concealed waste trap

**h.consigliata / advised h.*



Installation notes: on casing H 20 cm Lato



Scarico per sifone a bottiglia
Drain for bottle trap

*h.consigliata / advised h.